

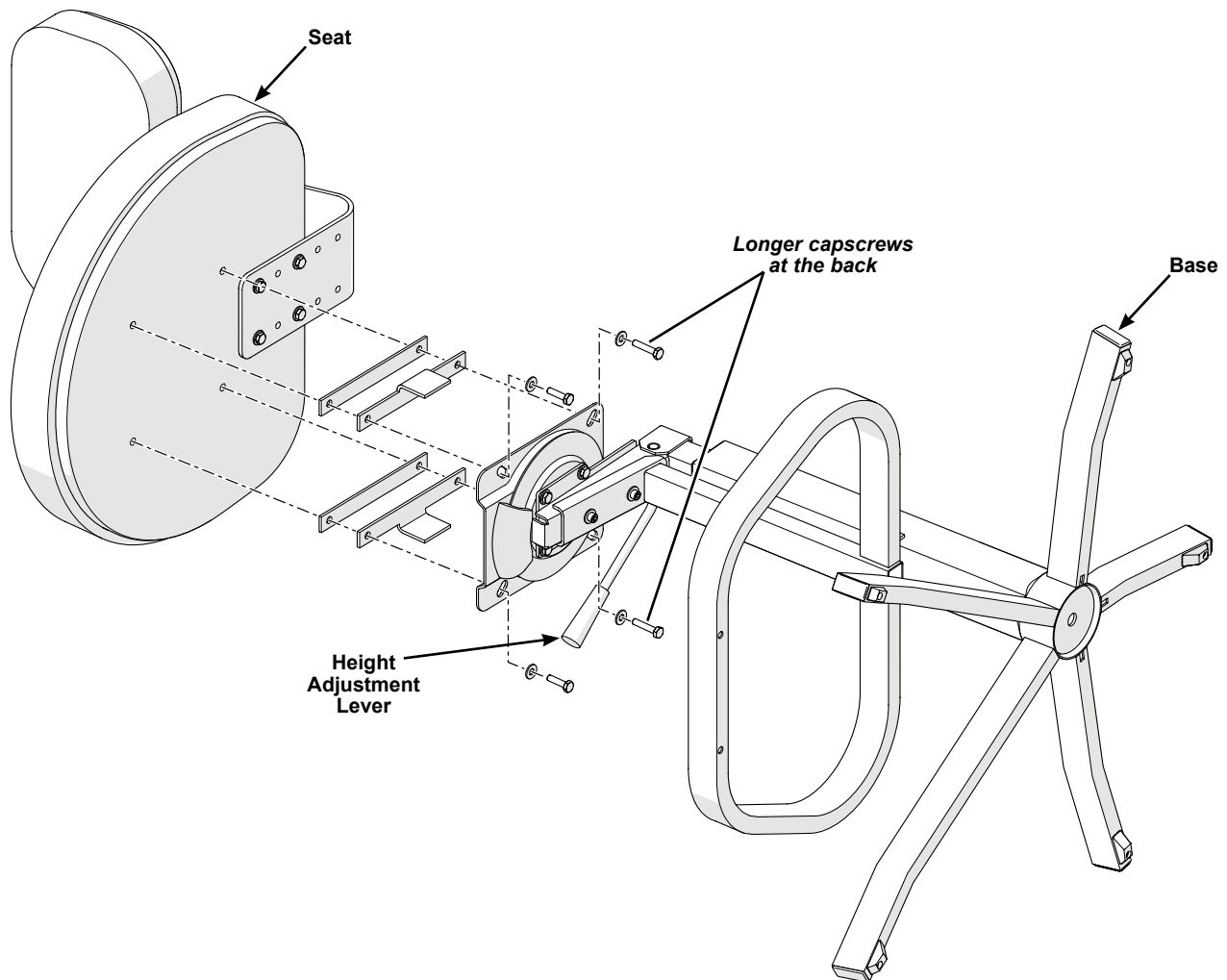


## Height Adjustment Instructions Conductor's Chair

**Height Adjustment Instructions only!**  
**For more detailed product information, refer to the  
Conductor's Chair Assembly Instructions 157C002.**

*7/16" Open-end wrench and 1/8" Allen wrench required.*

1. For this procedure, you should be seated fully against the back cushion while engaging the height adjustment lever to achieve the desired height.  
To raise the seat, shift your weight to your feet and adjust using the height adjustment lever.
2. Lay the chair on its side and separate the seat from the base.  
**Set all loose components aside for reassembly.**



**Note:** Please read and understand these instructions before adjusting.

**Note:** If you need additional information, contact Wenger Corporation using the information below.

2. Tip the base upright and locate the adjustment screw.
3. Use a 1/8" allen wrench to turn the adjustment screw.  
Turn the screw clockwise to allow less adjustment lever movement.  
Turn the screw counter-clockwise to allow more adjustment lever movement.
4. Test the height adjustment lever for proper operation and reattach the seat to the base.  
**Be sure that the longer capscrews are attached at the back of the seat.**

